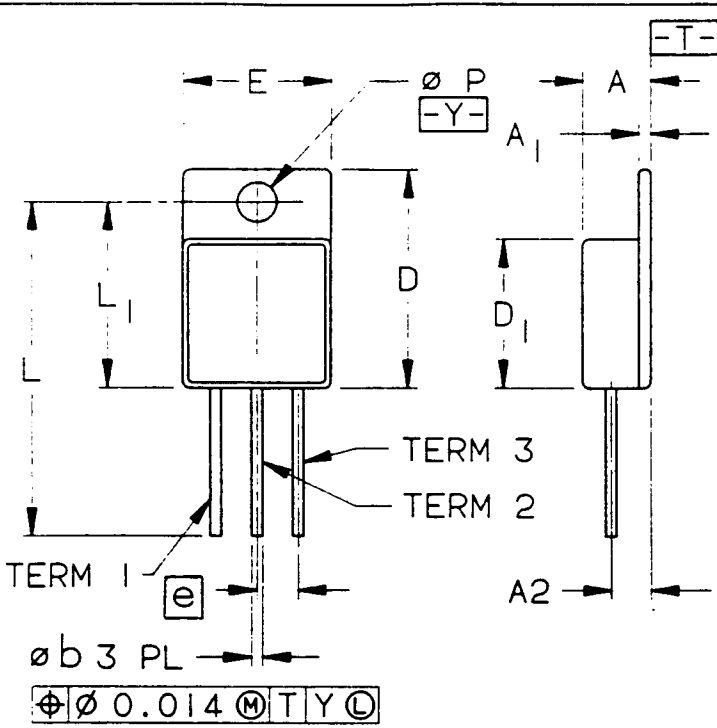


- NOTES**
1. REFER TO APPLICABLE SYMBOL LIST.
 2. DIMENSIONING AND TOLERANCING PER ANSI Y14.5M, 1982.
 3. GLASS MENISCUS INCLUDED IN DIM D AND E.
 4. CONTROLLING DIMENSION: INCH.

| SYMBOL | VARIATIONS (ALL DIMENSIONS SHOWN IN MILLIMETERS) | | | | | | | | | | | |
|----------------|--|-------|------|------|------|------|------|------|------|------|------|------|
| | AA | | NOTE | MIN. | MAX. | NOTE | MIN. | MAX. | NOTE | MIN. | MAX. | NOTE |
| | MIN. | MAX. | | | | | | | | | | |
| A | 6.32 | 6.60 | | | | | | | | | | |
| A ₁ | 1.02 | 1.27 | | | | | | | | | | |
| A ₂ | 3.81 | BSC | | | | | | | | | | |
| øb | 0.89 | 1.14 | | | | | | | | | | |
| D | 20.07 | 20.32 | | | | | | | | | | |
| D ₁ | 13.59 | 13.84 | | | | | | | | | | |
| e | 3.81 | BSC | | | | | | | | | | |
| E | 13.59 | 13.84 | | | | | | | | | | |
| L | 30.35 | 31.40 | | | | | | | | | | |
| L ₁ | 16.89 | 17.40 | | | | | | | | | | |
| øP | 3.53 | 3.78 | | | | | | | | | | |
| NOTE | 1,2,3 | | | | | | | | | | | |
| REF | ITEM 229 | | | | | | | | | | | |
| ISSUE | | | | | | | | | | | | |

| | | | | |
|---|---|-------------------|----------------------------|---------------|
| JEDEC SOLID STATE PRODUCT OUTLINES | TITLE FLANGE MOUNTED HEADER FAMILY (PERIPHERAL TERMINALS) | ISSUE A | DATE Nov 1986 | TO-254 |
| | | | | |



NOTES

1. REFER TO APPLICABLE SYMBOL LIST.
2. DIMENSIONING AND TOLERANCING PER ANSI Y14.5M, 1982.
3. GLASS MENISCUS INCLUDED IN DIM D AND E.
4. CONTROLLING DIMENSION: INCH.

| SYMBOL | VARIATIONS (ALL DIMENSIONS SHOWN IN INCHES) | | | | | | | | | | | |
|--|---|-------|--|------|------|------|------------|---------------------|------|--------|------|------|
| | AA | | NOTE | MIN. | MAX. | NOTE | MIN. | MAX. | NOTE | MIN. | MAX. | NOTE |
| | MIN. | MAX. | | | | | | | | | | |
| A | 0.249 | 0.260 | | | | | | | | | | |
| A ₁ | 0.040 | 0.050 | | | | | | | | | | |
| A ₂ | 0.150 | BSC | | | | | | | | | | |
| øb | 0.035 | 0.045 | | | | | | | | | | |
| D | 0.790 | 0.800 | | | | | | | | | | |
| D ₁ | 0.535 | 0.545 | | | | | | | | | | |
| e | 0.150 | BSC | | | | | | | | | | |
| E | 0.535 | 0.545 | | | | | | | | | | |
| L | 1.195 | 1.235 | | | | | | | | | | |
| L ₁ | 0.665 | 0.685 | | | | | | | | | | |
| øP | 0.139 | 0.149 | | | | | | | | | | |
| NOTE | 1, 2, 3 | | | | | | | | | | | |
| REF | ITEM 229 | | | | | | | | | | | |
| ISSUE | | | | | | | | | | | | |
| JEDEC SOLID STATE PRODUCT OUTLINES | | | TITLE FLANGE MOUNTED HEADER FAMILY (PERIPHERAL TERMINALS) | | | | ISSUE A | DATE Nov 1986 | | TO-254 | | |