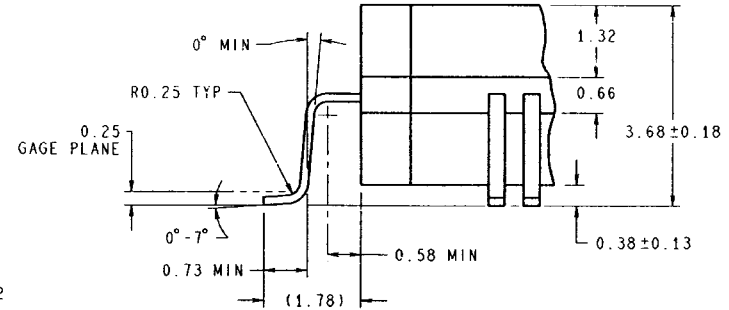
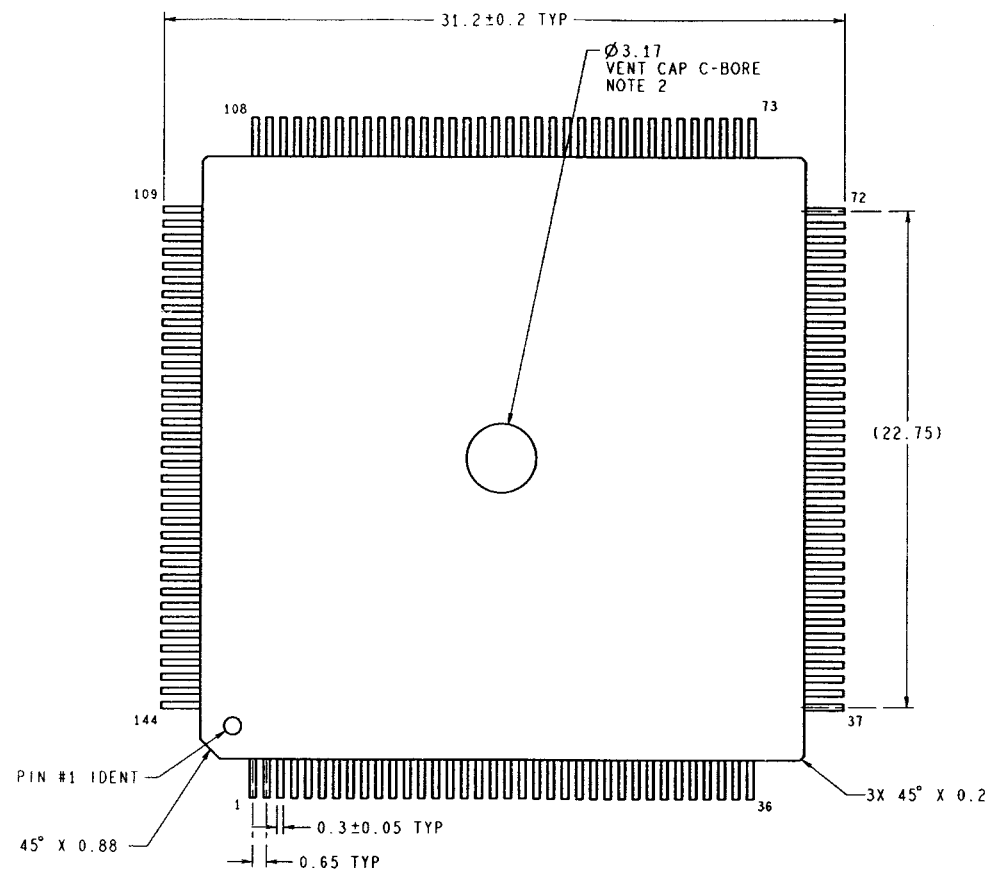
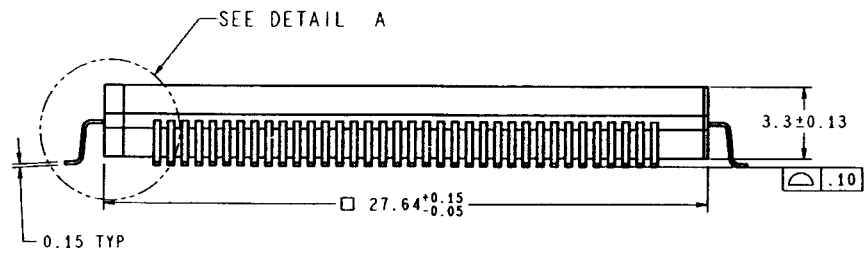


REVISIONS				
LTR	DESCRIPTION	E.C.N.	DATE	BY/APP'D
B	REVISE AND REDRAW PER NEW STANDARD.	11204	12/12/95	DEG/SM



DETAIL A
TYP, SCALE: 15X
NOTE 2



DIMENSIONS ARE IN MILLIMETERS

NOTES: UNLESS OTHERWISE SPECIFIED.

- STANDARD LEAD FINISH: 5.08 MICROMETERS MINIMUM SOLDER PLATING (85/15) THICKNESS.
- THE LEADS CAN BE FORMED FOR CAVITY UP OR DOWN:
- THE VENT CAP WILL BE ON THE TOP FOR CAVITY UP (SHOWN)
- THE VENT CAP WILL BE ON THE BOTTOM FOR CAVITY DOWN
- REFERENCE: OLIN DRAWING 04-144-YH-001, REV C, DATED MAY/93

APPROVALS		DATE	National Semiconductor		
DRAWN D.E. Grady		12/12/95	2900 Semiconductor Dr., Santa Clara, CA 95052-8090		
MFG. CH. [Signature]		1/18/96	MQUAD, 28 X 28 X 3.3mm, 144 LEAD		
ENGR. CH. [Signature]		1/18/96			
PROJECTION [Symbol]		SCALE N/A	SIZE C	DRAWING NUMBER MKT-AUY144A	REV B
		DO NOT SCALE DRAWING		SHEET 1 of 1	